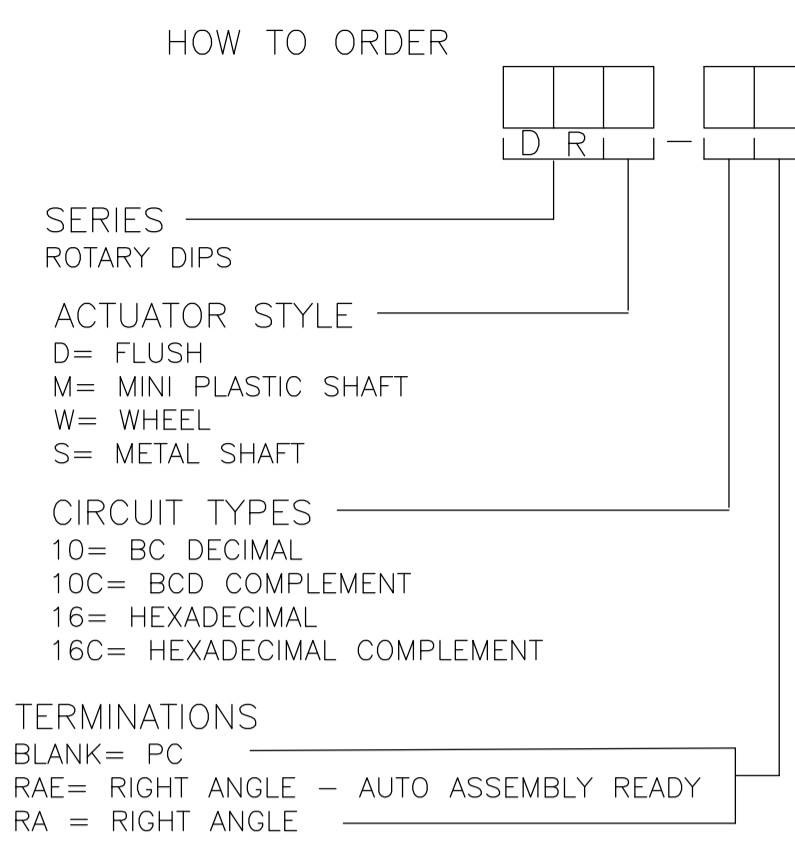


DRD RIGHT ANGLE  
PC MOUNT



**SPECIFICATIONS:**

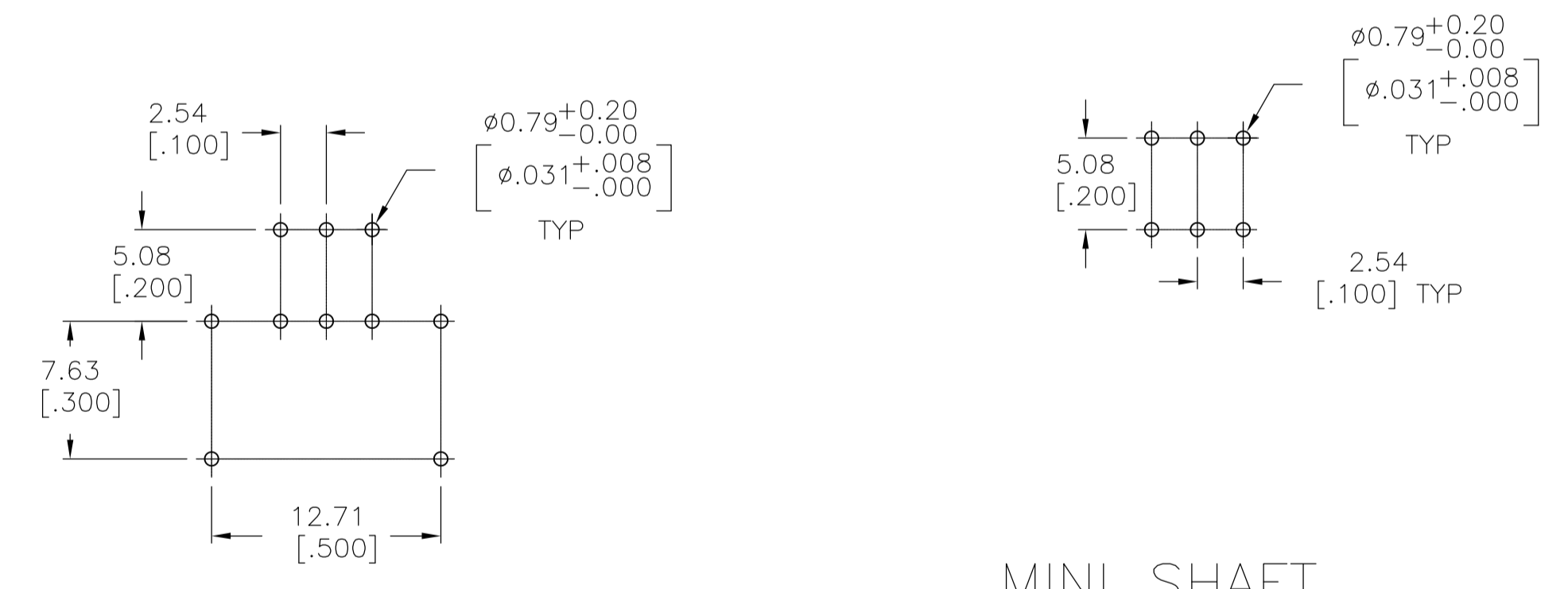
**MATERIAL:**  
 FRAME & CASE- PPS UL94V-0, BLACK  
 ROTOR, PA6T UL94V-0, COLOR SEE P/N TABLE  
 FIXED CONTACT/TERMINAL- COPPER ALLOY, GOLD FLASH OVER NICKEL PLATE  
 MOVING CONTACT- COPPER ALLOY, GOLD FLASH OVER NICKEL PLATE  
 BALL SUPPORT PLATE- COPPER ALLOY  
 BALL- STAINLESS STEEL  
 DETENT SPRING- STAINLESS STEEL  
 BUSHING (DRS)- ZINC DIE CAST  
 SHAFT (DRS)- COPPER ALLOY- NICKEL PLATE

**ELECTRICAL:**  
 CONTACT RATING- 0.4VA@ 20V DC OR PEAK AC  
 INITIAL CONTACT RESISTANCE- 50 MILLIOHMS MAX  
 INSULATION RESISTANCE- 1,000 MEGOHMS@100V DC  
 DIELECTRIC STRENGTH- 300V AC  
 LIFE EXPECTANCY- 10,000 ROTATIONS

**MECHANICAL:**  
 OPERATING FORCE- 13.88 OZF.IN. MAX

**ENVIRONMENTAL:**  
 OPERATING TEMPERATURE- -30°C TO +85°C  
 STORAGE TEMPERATURE- -45°C TO +100°C  
 RESISTANCE TO SOLDER HEAT-PER 109-202, COND B (THRU-HOLE)  
 SOLDERABILITY-PER JIS C 0050 & JIS C 0053

- NOTES:**
- ALL MATERIALS AND FINISHES SHALL COMPLY WITH EU DIRECTIVE 2002/95/EC OF 27JAN2003 (ROHS)
  - COMMON TERMINALS ARE CONNECTED INTERNALLY, EXCEPT ON HYBRID VERSIONS.
  - RED ROTOR WITH WHITE PRINTING ON TOP AND SIDE OF SWITCH. "S" STYLES HAVE NOT PRINTING ON TOP.
  - BLACK ROTOR WITH WHITE PRINTING ON TOP AND SIDE OF SWITCH. "S" STYLES HAVE NO PRINTING ON TOP.
  - ORANGE ROTOR WITH WHITE PRINTING ON TOP AND SIDE OF SWITCH "S" STYLES HAVE NO PRINTING ON TOP.
  - WHITE ROTOR WITH WHITE PRINTING ON TOP AND SIDE OF SWITCH "S" STYLE HAVE NO PRINTING ON TOP.
- △ LOCATE 'ALCO' TRADE NAME AND LOT NUMBER MARKING. LOT NUMBER TO BE MARKED AS FOLLOW:
- 4 1ST DIGIT F 2ND DIGIT  
 YEAR 1194 MONTH 6
- MARK WITH PERMANENT WHITE INK.



"S" STYLE

MINI SHAFT  
FLUSH  
WHEEL

PRINTED CIRCUIT BOARD LAYOUTS

BLACK	DRW16RAE04	1-1825008-6
WHITE	DRW16CRAE04	1-1825008-5
RED	DRW10RAE04	1-1825008-4
ORANGE	DRW10CRAE04	1-1825008-3
N/A	DRS16RA04	1-1825008-2
N/A	DRS16CRA04	1-1825008-1
N/A	DRS10RA04	1-1825008-0
N/A	DRS10CRAE04	1825008-9
BLACK	DRM16RAE04	1825008-8
WHITE	DRM16CRAE04	1825008-7
RED	DRM10RAE04	1825008-6
ORANGE	DRM10CRAE04	1825008-5
BLACK	DRD16RAE04	1825008-4
WHITE	DRD16CRAE04	1825008-3
RED	DRD10RAE04	1825008-2
ORANGE	DRD10CRAE04	1825008-1
ROTOR COLOR	T&B P/N	PART NO.

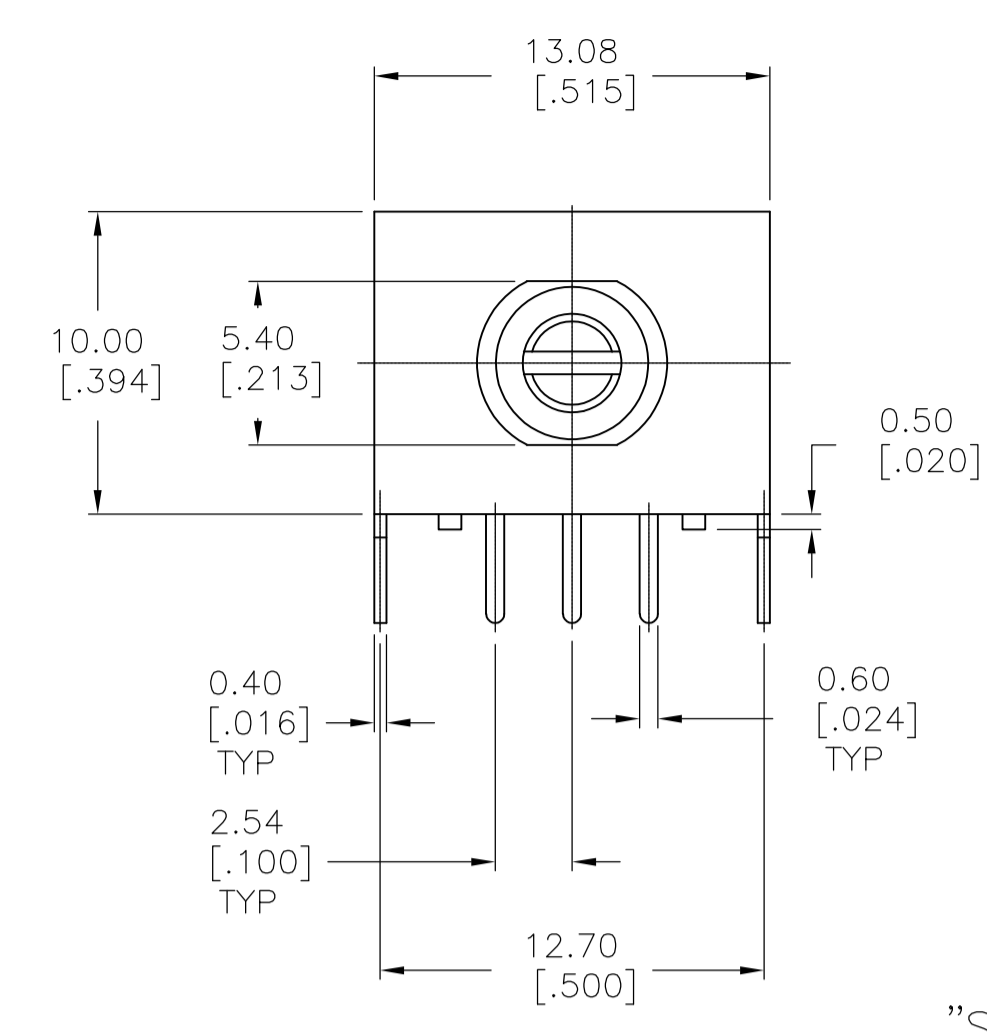
THIS DRAWING IS A CONTROLLED DOCUMENT. DIN 9139 VISVESWARA 17MAY2005  
 CDR M.S.SARVER  
 APVD

DIMENSIONS: mm [INCHES]	TOLERANCES UNLESS OTHERWISE SPECIFIED:	PRODUCT SPEC	NAME
0 PL ± -	1 PL ± -	APPLICATION SPEC	DR***RA SERIES ROTARY DIP SWITCH
2 PL ± 0.25	3 PL ± -	WEIGHT	SIZE CAGE CODE DRAWING NO
4 PL ± -	ANGLES ± 1'	RESTRICTED TO	A1 00779 1825008

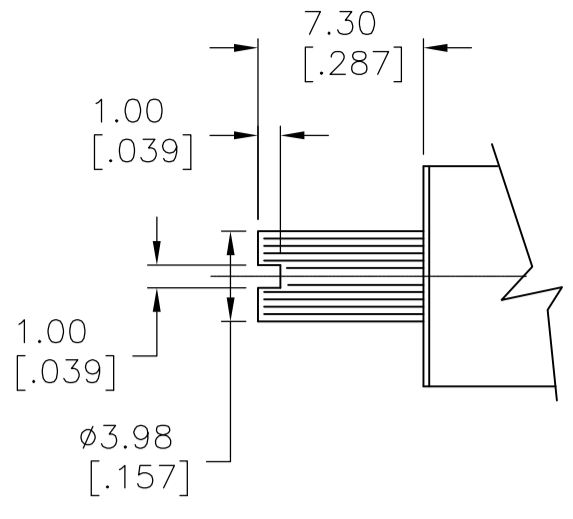
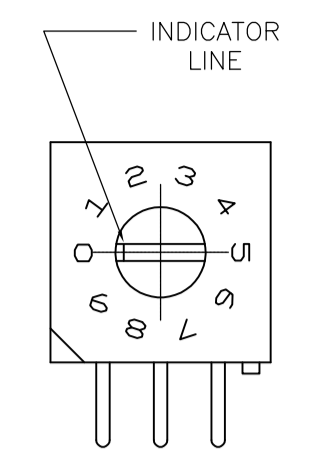
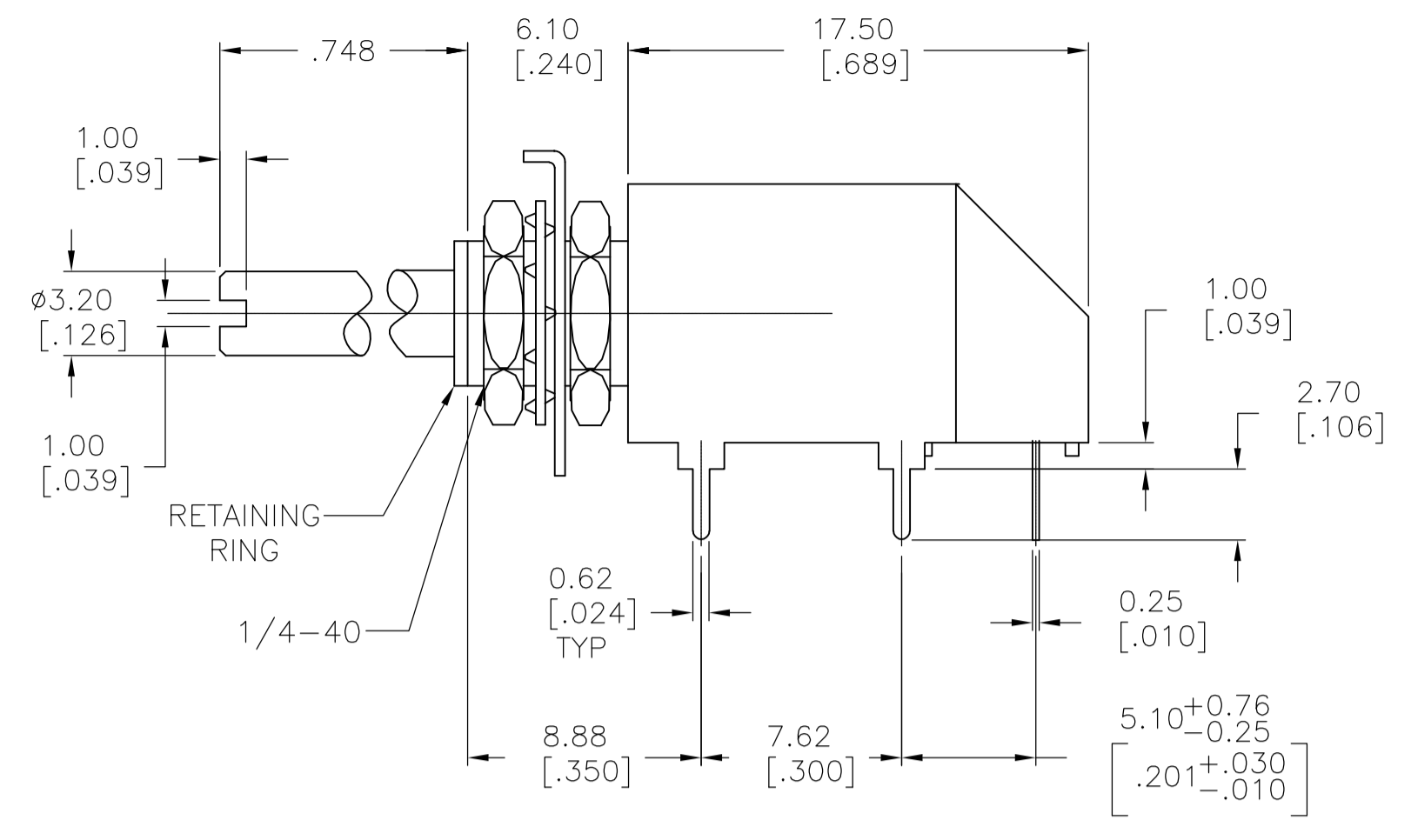
MATERIAL FINISH WEIGHT

CUSTOMER DRAWING SCALE 4:1 SHEET 1 OF 2 REV A4

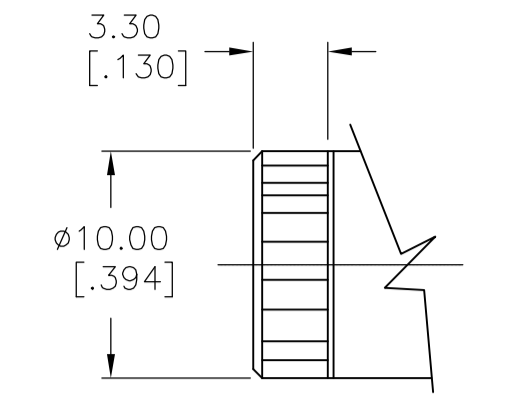
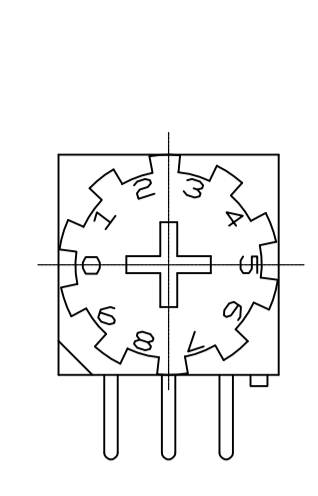
STE TE Connectivity



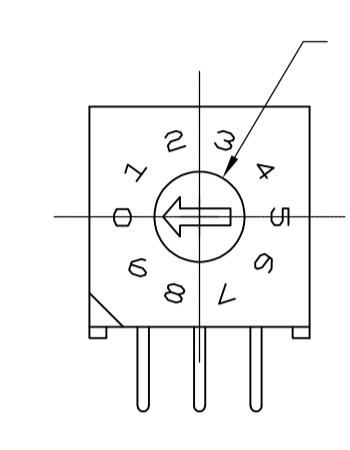
"S" STYLE



MINI SHAFT  
'M' STYLE

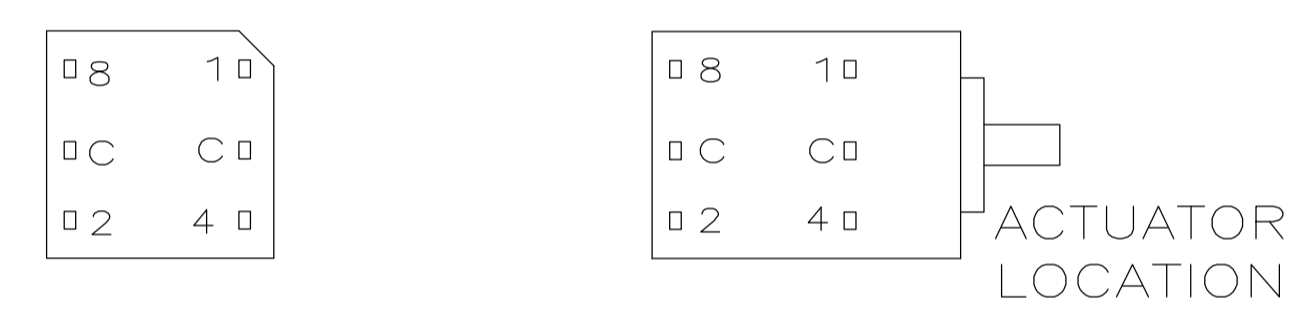


WHEEL  
'W' STYLE



'D' STYLE

TERMINAL IDENTIFICATION FOR DR SERIES ONLY  
(VIEWED FROM BOTTOM OF SWITCH)



ACTUATORS  
SCALE:3:1

10-POSITION, BCD SEE NOTE 3

POS	0	1	2	3	4	5	6	7	8	9
C	X	X	X	X	X	X	X	X	X	X
1		X		X		X		X		X
2			X	X			X	X		
4					X	X	X	X		
8									X	X

16-POSITION, HEXADECIMAL SEE NOTE 4

POS	0	1	2	3	4	5	6	7	8	9	A	B	C	D	E	F
C	X	X	X	X	X	X	X	X	X	X	X	X	X	X	X	X
1		X		X		X		X		X		X		X		X
2			X	X			X	X			X	X			X	X
4					X	X	X	X					X	X	X	X
8									X	X	X	X	X	X	X	X

10 POSITION, BCD COMPLEMENT SEE NOTE 5

POS	0	1	2	3	4	5	6	7	8	9
C̄	X	X	X	X	X	X	X	X	X	X
1̄	X		X		X		X		X	
2̄	X	X			X	X			X	X
4̄	X	X	X	X					X	X
8̄	X	X	X	X	X	X	X	X		

16-POSITION, HEXADECIMAL COMPLEMENT SEE NOTE 6

POS	0	1	2	3	4	5	6	7	8	9	A	B	C	D	E	F
C̄	X	X	X	X	X	X	X	X	X	X	X	X	X	X	X	X
1̄	X		X		X		X		X		X		X		X	
2̄	X	X			X	X			X	X			X	X		
4̄	X	X	X	X					X	X	X	X				
8̄	X	X	X	X	X	X	X	X								

THIS DRAWING IS A CONTROLLED DOCUMENT.		DIN 17MAY2005		TE Connectivity	
DIMENSIONS: mm [INCHES]		TOLERANCES UNLESS OTHERWISE SPECIFIED:		MATERIAL FINISH	
0 PLC ± -		1 PLC ± -		2 PLC ± 0.25	
3 PLC ± -		4 PLC ± -		ANGLES ± 1°	
MATERIAL		FINISH		WEIGHT	
-		-		-	
CUSTOMER DRAWING		SCALE 4:1		SHEET 2 OF 2	
APVD M.S.SARVER		NAME		RESTRICTED TO	
PRODUCT SPEC		APPLICATION SPEC		SIZE CASE CODE DRAWING NO	
-		-		A1 00779 C=1825008	
-		-		REV A4	